

Intermediate Release Notes

OmniSwitch 9xxx, 6850, 6855 & 6400

Release 6.4.2.968.R01

The following is a list of issues that have been identified and corrected in AOS software release. This document is intended to be used as a pre-upgrade guide and does not replace the Release Notes which are created for every GA release of software.

Important Notice: For a copy of software release not posted on the Web, or if you have questions or concerns, please contact Alcatel-Lucent's Technical Support Department.

Problems Fixed Between Builds 807 and 873	2
Problems Fixed Between Builds 874 and 933	6
Problems Fixed Between Builds 934 and 954	9
Problems Fixed Between Builds 955 and 968	11
Under Verification:	13
Known Issues:	28
New Software Features:	31

Problems Fixed Between Builds 807 and 873

PR	140359	Build:	6.4.2.813.R01
Summary:	OS6850 - IP check sum fails when DSCP value is changed in IGMP		
Explanation:	Fix for incorrect checksum calculation in IGMP Report packet		
PR	140652	Build:	6.4.2.817.R01
Summary:	loopback interface in the same range of an existing ip interface		
Explanation:	Allow ARP to the loopback0 interface on the default VRF		
PR	140940	Build:	6.4.2.819.R01
Summary:	Exception in UdpRlyMain Task on 9700E. Follow -up of PR#140885		
PR	141078	Build:	6.4.2.824.R01
Summary:	"ip helper dhcp-snooping option-82 format ..." is not accepted		
PR	116080	Build:	6.4.2.825.R01
Summary:	After Upgrading 6800 Lite switches to Gig capacity, show cmm/module long still displays 10/100.		
Explanation:	Description of the CMM/Chassis/NI module made compatible with module type		
PR	135490	Build:	6.4.2.826.R01
Summary:	802.1x PAE incorrect port number - SNMP dot1xPaePortNumber does not match ifIndex		
Explanation:	Changed the dot1xPaePortNumber value to ifIndex from the logical port to make consistent with IEEE Standard.		
PR	141268	Build:	6.4.2.829.R01
Summary:	unable to ping virtual ip on 9700E with 6.4.2.807.R01		
PR	137810	Build:	6.4.2.830.R01
Summary:	Switch not routing packets above size 1600 into IPV6/IPV4 tunnel - normal 1280 packet work fine		
Explanation:	Packets greater than 1600 bytes are not routed into IPV6/IPV4 tunnel.		
PR	139233	Build:	6.4.2.830.R01
Summary:	BGP redistribution aggregate route not working correctly		
Explanation:	When using route maps to aggregate all the learned routes into a default route, the router still advertises the default route even if all the routes are inactive.		

PR **138952** Build: 6.4.2.831.R01
 Summary: Customization of captive-portal web page
 Explanation: Customization of CP logout bookmark link supported. If Customization is required, the logout link based on the configured CP IP Address needs to be stored in cplpAddress.inc at /flash/switch directory

Format:
 https://<cp ip address>/Logout

PR **131409** Build: 6.4.2.832.R01
 Summary: Unable to retrieve files from secondary using rcp command get error: invalid test/set
 Explanation: Improper use of the command "rcp source_filepath destination_filepath" may result in the following unclear error message: "ERROR: invalid test/set value".

PR **141098** Build: 6.4.2.832.R01
 Summary: "alert CS Debug: STR NON FATAL " -Need Explanation on the log message generated

PR **139718** Build: 6.4.2.833.R01
 Summary: Alias name should be one word . Error seen after Alias configuration while logging in.
 Explanation: If an alias with the length of the second parameter greater than 60 characters is created and then saved into the user profile, a second alias is improperly created beginning with the 61 st character.

Error:
 alias "tion-file dco-91red.switch-config" "

PR **140658** Build: 6.4.2.838.R01
 Summary: IPv6 QoS display issue when creating a condition with an IPv6 source
 Explanation: Calculation error used to compress the leading and/or trailing zeros in IPv6 address of QoS policy condition rectified . When IPv6 Addressed with both Leading and trailing zeros are given as 2016::18:0000:10 in QoS policy condition the same will be displayed

PR **141759** Build: 6.4.2.838.R01
 Summary: DDM is showing invalid threshold value of 0.0 for low/high RX/TX optical reading
 Explanation: 1) Calculation of AH, WH, WL and AL for voltage, current and output corrected. 2) Precision of floating point numbers displayed in CLI and swlogs changed to 3.

PR	127655	Build:	6.4.2.840.R01
Summary:	HSM : Same Sequence Numbers during NI monitoring		
Explanation:	Enhanced NI PMD by dumping soc_control information in BCM and memory around DMA buffer.		
PR	140690	Build:	6.4.2.840.R01
Summary:	SNMP doesn't work for all LPS node learnedPortSecurityL2MacAddressTable		
Explanation:	Fix done for SNMP to work on LearnedPortSecurityL2MacAddressTable node		
PR	141396	Build:	6.4.2.840.R01
Summary:	"ethernet-service sap-profile empty bandwidth not-assigned priority not-assigned" doesn't work		
Explanation:	Fix to allow 768 cvlans in a sap with sap-profile priority not assigned and bw not assigned		
PR	140374	Build:	6.4.2.841.R01
Summary:	Default route from third-party is not learned in OS9700E		
Explanation:	SPF to run for backbone instantly as soon as ABR status got disabled		
PR	141691	Build:	6.4.2.841.R01
Summary:	ON AOS 6850-48 ports with DDM enable - it takes up to 48 mins to get a reading		
PR	141585	Build:	6.4.2.843.R01
Summary:	"HELLO: fsm processing error" after copy flash -synchro		
Explanation:	Restart the hello timer while retaining the Primary state, on flash synchro		
PR	139363	Build:	6.4.2.856.R01
Summary:	OS6850 sends malformed BGP update message when using 32 -bit ASN.		
Explanation:	No Modification of Capability Contents including Flags, if it is unsupported		
PR	142056	Build:	6.4.2.856.R01
Summary:	IPv6 M and O bit is not getting set and after the reboot no effect of this command.		
Explanation:	Updation of M & O bit in RA when the configuration is applied in a single line along with ipv6 interface creation		
PR	140372	Build:	6.4.2.858.R01
Summary:	OS 9000 crash - Either due to SSH or Same sequence number during NI monitoring - need analysis		
Explanation:	SFTP/SSH cleanup is handled properly for user with invalid Privileges.		

PR	142038	Build:	6.4.2.860.R01
Summary:	IP multicast hardware/software table out -of-sync on 6850 Stacks		
Explanation:	1) IPMNI to send port info in the source ageout message to IPMS -CMM. 2) IPMS-CMM removes the source only if source agesout in the slot on which it was learnt		
PR	136646	Build:	6.4.2.861.R01
Summary:	nisup_sounderSendTrouble suspended and cliconsole task suspended		
Explanation:	Preventing fatal free of MIP message in Console		
PR	140400	Build:	6.4.2.861.R01
Summary:	tssApp_8_4 task at 60% cpu usage due to SSH		
Explanation:	"NULL" username will be a valid input when switch acting as SSH / SFTP client		
PR	137424	Build:	6.4.2.862.R01
Summary:	SNMP Traps are not sent if ICMP connectivity is not assured with SNMP station		
Explanation:	Workaround to enable trap generation when the trap stations are not pingable in the network : (1) set setTrapConfigOn = 1 in AlcatelDebug.cfg or in dshell at runtime. (2) use dshell command "trapSetConfigOn"		
PR	138531	Build:	6.4.2.863.R01
Summary:	ability to configure the port to be untrusted even if it is a q-tagged		
Explanation:	Ability to untrust tagged ports via qos.		
PR	141384	Build:	6.4.2.863.R01
Summary:	unable to ssh to switch		
Explanation:	File Descriptors to be closed properly to avoid ssh failures		
PR	142270	Build:	6.4.2.863.R01
Summary:	Loopback0 not advertised via the command "ip bgp network"		
Explanation:	Allow Loopback0 to be advertised using BGP network command		
PR	142271	Build:	6.4.2.863.R01
Summary:	PMD file generated after : enabling drclg BGP/deleting Loopback0 int/recreating Loopback0 int		

PR **142444** Build: 6.4.2.863.R01
 Summary: ERROR unknown object type failure' wh en giving 'show ip bgp path neighbor-rcv/neighbor-adv X' cmd

PR **141787** Build: 6.4.2.864.R01
 Summary: "show configuration snapshot" output != boot.cfg (again)
 Explanation: Fix to diaplay properly the vlanstacking configuration snapshot

PR **142362** Build: 6.4.2.864.R01
 Summary: Remote Port mirroring on linkagg not working ref - PR#133626
 Explanation: Linkagg ports can be used for remote port mirroring destination.

Problems Fixed Between Builds 874 and 933

PR **142221** Build: 6.4.2.881.R01
 Summary: DHL long convergence time

PR **142093** Build: 6.4.2.882.R01
 Summary: Packet fragmentation issue in 6.4.2
 Explanation: Fragmentation of IP packets failing because of different Max mtu configured for ingress and egress ports is resolved.

PR **142482** Build: 6.4.2.882.R01
 Summary: Password Change Not Saved in Os6850 running 6.4.2 GA. Works Fine With 6.3.4 Code Version.
 Explanation: Allow the user to change password using "password" command from cli.

PR **141659** Build: 6.4.2.884.R01
 Summary: support for static mcast arp in OS9E

PR **142989** Build: 6.4.2.888.R01
 Summary: 6400-supplciant is not moved to a correct Vlan after un -sUCCESSful authentication
 Explanation: Handle supplicant failure authentication appropriately.

PR **142787** Build: 6.4.2.889.R01
 Summary: Mac adds not learned on port 1/23 and 1/24 after upgrade to 6.3.4.443.R01 from 6.3.1.975.R01
 Explanation: UNI/NNI status updated properly in hardware during stack reload with huge Vlan stacking configuration

PR	143305	Build:	6.4.2.890.R01
Summary:	Need to be able to disable option82 insertion even when binding is enable		
PR	143831	Build:	6.4.2.895.R01
Summary:	6400 crashes with PMD while assigning ip static route in GUI		
Explanation:	Enabling BFD status for OS6400 is not allowed, as BFD is not supported in OS6400		
PR	142263	Build:	6.4.2.897.R01
Summary:	Huge number of Error and Lost frames on 6850P48L ports		
Explanation:	Fix for huge error frame and lost frame counters		
PR	125322	Build:	6.4.2.900.R01
Summary:	Configured system daylight savings cannot be reconfigured & dates are not calculating correctly.		
Explanation:	The code has been changed to display the daylight savings time as per the command given in the site.		
PR	143742	Build:	6.4.2.900.R01
Summary:	Duplicate entries created for vlan stacking configurations when loading boot.cfg.		
Explanation:	Fix to avoid duplicate entries in configuration snapshot for vlan stacking		
PR	143052	Build:	6.4.2.902.R01
Summary:	snmp oldest trap replay value in CLI vanishes after an SNMP SET update from OV (NMS)		
Explanation:	Display the replay count even when the snmp trap station in sync with switch		
PR	133086	Build:	6.4.2.909.R01
Summary:	9800 switch went down with the err or Resetting IPC Chip & then CPM (SEC_N)		
Explanation:	Code changes in IPC communication to prevent Dual Primary Scenarios		
PR	143591	Build:	6.4.2.909.R01
Summary:	OS6850 - Flood rate limitation due to 224 bytes bcast packets sent by IP - based audio solution		
PR	143939	Build:	6.4.2.913.R01
Summary:	"qos port <slot/port> maximum ingress-bandwidth <bw> maximum default depth <d>" is not correctly sto		
Explanation:	Update the max default depth in the FFP meter table according to the user config.		

PR	144125	Build:	6.4.2.913.R01
Summary:	TACACS reads the caller id IP address as 127.2.65.1		
Explanation:	Fix done to store the correct IpAddress for rem_addr for tacacs.		
PR	144464	Build:	6.4.2.915.R01
Summary:	SLB task error when upgrading from 6.3.1 to 6.4.2		
Explanation:	Increase SLB snapshot command storage array size to prevent overflow		
PR	143532	Build:	6.4.2.916.R01
Summary:	OS98 crashed with dump error "error ETHOAM CMM : Timer closed skt for ETHOAM NI on ni 4 @ 1263797"		
Explanation:	Validate UDP length field of a UDP packet before treating it as a BFD packet.		
PR	141294	Build:	6.4.2.918.R01
Summary:	QoS inner to outer pbit mapping issue		
Explanation:	Resolved the issue with priority not -assigned bandwidth not -assigned configuration		
PR	144097	Build:	6.4.2.918.R01
Summary:	vlan mac-range mobile port in filtering		
Explanation:	Allow packets with vlan id 0 to be classified based on vlan -mac rule		
PR	144246	Build:	6.4.2.918.R01
Summary:	TAC_PLUS_UNENCRYPTED_FLAG value set to 1 instead of 0 in TACACS+ packet header		
Explanation:	Maintaining the same encryption flag value during entire tacplus transaction.		
PR	142907	Build:	6.4.2.919.R01
Summary:	mac stuck at filtering on a mobile -tag group after power failure or reload ni		
PR	143271	Build:	6.4.2.921.R01
Summary:	qosSetupFB 2488:qosFBSetAction failed (qos port <slot/port> maximum ingress-bandwidth >128M)		
Explanation:	Range check the qos max ingress-bandwidth and maximum depth configured from the qos CLIs.		
PR	144819	Build:	6.4.2.922.R01
Summary:	BGP configuration command recognized correctly but stored in wrong format		
Explanation:	BGP configuration stored in correct format in snapshot and boot.cfg.		

PR	134586	Build:	6.4.2.923.R01
Summary:	100% CPU due to a network loop caused by a 224.0.0.x multicast address		
Explanation:	Rate limit the packets to the CPU allowed for all policies		
PR	144477	Build:	6.4.2.925.R01
Summary:	Delay in Flash Synchro with log "NO HEART BEAT FOR 4 Time"		
Explanation:	Fixed the Delay in Flash Synchro with log "NO HEART BEAT FOR 4 Time" issue		
PR	141985	Build:	6.4.2.926.R01
Summary:	Seeing malformed table on debug ip multicast flow		
Explanation:	Fixed MIP overflow handling.		
PR	144434	Build:	6.4.2.926.R01
Summary:	PMD file generated when ERP configured along with VRRP		
Explanation:	Crash in vrrp task when configured erp on that vlan is resolved using a defense fix.		
PR	144249	Build:	6.4.2.927.R01
Summary:	ssh session exits with error: server unexpectedly closed network connection		
Explanation:	Modified the software internals conflicting message id's for vrf support in ssh		
PR	144814	Build:	6.4.2.928.R01
Summary:	OS6400: LPS Violation shutdown not working correctly		
Explanation:	Prevent deletion of static mac when lps port is shutdown		

Problems Fixed Between Builds 934 and 954

PR	141872	Build:	6.4.2.934.R01
Summary:	"policy action priority" does re-stamping instead of re-mapping		
Explanation:	For internal priority action, dont do stamping.		
PR	145058	Build:	6.4.2.934.R01
Summary:	dot1dBasePortTable (1.3.6.1.2.1.17.1.4) entries disappear in snmpwalk when NIs are removed		
Explanation:	Port index calculation error as part of dot1dBasePortTable objects has been rectified.		

PR	144279	Build:	6.4.2.938.R01
Summary:	High CPU seen after reboot of any remote switch connected to the core with LINKAGG active.		
Explanation:	qDriver - corrected port bitmap calculation		
PR	144626	Build:	6.4.2.940.R01
Summary:	OS6850 crash with exception 768		
Explanation:	Increased the buffer size to accommodate Large values in Hmon task		
PR	145131	Build:	6.4.2.940.R01
Summary:	Need software implementation of flushing CP status when domain user log off		
Explanation:	Delete old mac control block and create a new mac control block, when EAPOL START packet is received from a client who is already in authenticated state.		
PR	144773	Build:	6.4.2.942.R01
Summary:	Unable to SSH (re-open of PR#141384) error "buffer_get_string_ret: bad string length 2914692538"		
Explanation:	Prevent SFTP-server and SFTP-client from freeing unused FD		
PR	142769	Build:	6.4.2.946.R01
Summary:	OS 9700 swlogs flooded with mBlkCIFree -- Invalid mBlk		
Explanation:	Double free of a memory block is avoided.		
PR	145294	Build:	6.4.2.947.R01
Summary:	Dump BCM CRC Parity error details to PMD		
Explanation:	Reset NI only when non recoverable BCM MMU parity error occurs.		
PR	145107	Build:	6.4.2.948.R01
Summary:	MAC/PHY information is not showing in the "show lldp remote system" output so some port randomly.		
Explanation:	MAU type updation issue for some GBIC ports is resolved		
PR	145703	Build:	6.4.2.948.R01
Summary:	show interfaces hybrid fiber counters errors displays copper port statistics		
Explanation:	Corrected the mipObject access for the hybrid counters errors CLI for fiber and copper ports		

PR **145146** Build: 6.4.2.949.R01
 Summary: show configuration snapshot not working --" Unable to retrieve XIP configuration " message seen
 Explanation: Increase the network data cluster pool size to prevent connection oriented sockets getting stuck in sbwait() call.

PR **145479** Build: 6.4.2.949.R01
 Summary: "aaa authentication xxx SERVER local" not working properly
 Explanation: Server authentication is used for console access, when configured.

PR **145523** Build: 6.4.2.949.R01
 Summary: Dump analysis following an upgrade to 6.4.2.933

PR **141752** Build: 6.4.2.952.R01
 Summary: "ingress-bandwidth" in "sap-profile" not accurate for TCP/IP
 Explanation: Introduce a CLI option to configure depth for the ingress -bandwidth of a sap profile

PR **145031** Build: 6.4.2.954.R01
 Summary: Unable to remove single or complete ports from port groups configured in QoS
 Explanation: Issue with port group removal in policy port group command has been fixed.

Problems Fixed Between Builds 955 and 968

PR **146508** Build: 6.4.2.956.R01
 Summary: alcateldebug.cfg has no effect in 6.4.2 for ignoring vrid errors
 Explanation: In order to ignore a specific VRID, execute the vrrplIgnoreVrid (VRID) in dshell and apply the debug set <> <> displayed.

NOTE: Using this command on OS97/98E (VRF Implemented Platform) will ignore VRID in each and every VRF configured

PR **145478** Build: 6.4.2.958.R01
 Summary: Wrong rem_addr value in the TACACS+ authorization START packet body
 Explanation: Correct remote address in TACACS authorization START packet body

PR **145480** Build: 6.4.2.958.R01
 Summary: Fields wrongly filled in for TACACS+ frames through console connection
 Explanation: Send remote address as "async" in case the access type is console

PR	146416	Build:	6.4.2.960.R01
Summary:	Modification request for CP status page running javaless mode		
PR	146300	Build:	6.4.2.962.R01
Summary:	ETHOAM MIP doesn't work in QinQ domain for MEPs outside domain		
Explanation:	ETHOAM Link trace message reply issue with MIP configuration in QinQ domain is resolved		
PR	147020	Build:	6.4.2.962.R01
Summary:	OS6850 reboots and crashing continuously after establishing of OSPF3		
PR	141539	Build:	6.4.2.964.R01
Summary:	pmd analysis needed		
Explanation:	Prevent crash when radius shared secret key is greater than 32		
PR	146091	Build:	6.4.2.965.R01
Summary:	DHCP client is not pinging the DHCP server in the routing environment after the switch power down		
Explanation:	Synchronize NI and CMM configuration of interfaces after takeover and remove in-active routes/arp from new primary.		
PR	146428	Build:	6.4.2.965.R01
Summary:	OS 9700 NIs rebooted with esmHandleNIBootUpFailure,error ETHOAM CMM,cs_sendto failed for slot 1.		
PR	147129	Build:	6.4.2.965.R01
Summary:	8800 advertising route with higher cost to ospf neighbor		
Explanation:	Install the lowest metric LSA, even if both the LSA forwarding address are same, but originating ASBRs are different in NSSA area		
PR	147444	Build:	6.4.2.966.R01
Summary:	OS6800 - Unresolved ARP never age out		
Explanation:	CMM to remove unresolved ARP entries once the entries timed out in NI.		
PR	142624	Build:	6.4.2.967.R01
Summary:	ERROR: Write memory is not permitted during file system modification		
Explanation:	Flash syncho failure is indicated when the session timeout occurs.		
PR	145451	Build:	6.4.2.968.R01
Summary:	synchronization causing second unit of reboot		
Explanation:	Manual flash-syncho will not reload units		

Under Verification:

PR	121968	Build:	6.4.2.562.R01
Summary:	ARP broadcast doesn't pass thru via DSLAM, when the arp originated from switch to maintain the table.		
Explanation:	Code changes to send unicast ARP during REFRESH logic for a customer specific issue. To enable this feature we need to set the flag ipedrSendArpUnicast to 1 in AlcatelDebug.cfg. By default this feature is disabled.		
PR	128838	Build:	6.4.2.569.R01
Summary:	All NIs report 100% CPU usage and connectivity lost completely after changing to MSTP from 1x1		
Explanation:	Optimize IPC between STP NI and SL NI to reduce CPU spike and IPC buffer usage		
PR	132151	Build:	6.4.2.569.R01
Summary:	MAC movement issue due to global port association		
Explanation:	Check to avoid conflict between LinkAgg and Global Port IDs in Source Learning		
PR	131070	Build:	6.4.2.608.R01
Summary:	"ethernet-service sap 1 cvlan 1-767" command is not in CLI		
Explanation:	Allow configuration of 768 cvlan-uni associations when used in bandwidth and priority not-assigned mode.		
PR	131592	Build:	6.4.2.608.R01
Summary:	Impossible to remove UNI port for SAP with cvlan untagged config ured		
Explanation:	Removed UNI port from SAP properly, Issue specific to a SAP with CVLAN as untagged.		
PR	132873	Build:	6.4.2.608.R01
Summary:	OS6855 - IldpProcessNetPolicyTLV: Database already have the same network policy messages.		
Explanation:	LLDP database already present log message will be displayed upon setting appropriate debug levels.		
PR	132771	Build:	6.4.2.634.R01
Summary:	STP fails to converge between OS9700 and OAW4x04 when OS9700 is the root bridge		
Explanation:	Switch will send STP BPDU with length 64(including FCS) in default VLAN.		

PR	129427	Build:	6.4.2.638.R01
Summary:	Unable to add static Arp entry of 01:00:5e:00:00:00 - 01:00:5e:7F:FF:FF		
Explanation:	Allow creation of static multicast arp entry for reserved mul ticast mac address range.		
PR	129524	Build:	6.4.2.641.R01
Summary:	Slb probe time period not working accurately		
Explanation:	Avoids delay between the slb probes sent periodically.		
PR	130977	Build:	6.4.2.641.R01
Summary:	ip udp relay function is not working in OS6850		
Explanation:	UDP packets with source ip 0.0.0.0 and destination UDP port as 10067 are discarded due to invalid source ip.		
PR	135170	Build:	6.4.2.648.R01
Summary:	6400 continous interrupt -- addressing 100% utilization on combo port issue		
Explanation:	Continuous interrupt stopped by clearing PHY 5482 Interrupt status register for OS6400-C24/48 Combo fiber port.		
PR	133858	Build:	6.4.2.680.R01
Summary:	HP NNM cannot discover Loopback0 IP address via SNMP due to w rong InterfaceIndex		
Explanation:	Labelled Loopback0 interface as other in ifType		
PR	131593	Build:	6.4.2.684.R01
Summary:	No indication when Power supply in the switch goes down		
Explanation:	Log a message in CONSOLE and SWLOG when the power su pply goes down		
PR	131627	Build:	6.4.2.684.R01
Summary:	Stack of 8*6850 switch reboots and crash.pmd files present in stack 3 and 4.		
Explanation:	Debugs added to find the reason when a msg fails to be send.		
PR	126042	Build:	6.4.2.685.R01
Summary:	OS6850 Switch do not recognize packets with a tag value of zero.		
Explanation:	Accepting packet with vlan as zero 802.1q tag header.		
PR	131756	Build:	6.4.2.688.R01
Summary:	ARP does not initiate Radius authentication in 6.3.1.1070.R01		
Explanation:	The non supplicant entry in the NI is removed, when the mac address is aged out.		

PR	131771	Build:	6.4.2.688.R01
Summary:	Switch crashed while putting 32 backward characters or password via open ssh		
Explanation:	Proper validation maximum password length is done. Max password length allowed in 32.		
PR	127625	Build:	6.4.2.692.R01
Summary:	"swlog console level off" not displayed in the configuration snapshot.		
Explanation:	"swlog console level <>" commands displayed during configuration snapshot .		
PR	132762	Build:	6.4.2.706.R01
Summary:	DHCP snooping enabled on VLAN drops genuine DHCP messages		
Explanation:	Option82 check is not done for the vlan, when DHCP snooping is configured on VLAN level on other VLANs.		
PR	133152	Build:	6.4.2.706.R01
Summary:	OS 6850-48 when configured with flood multicast enable command not displayed in configuration.		
Explanation:	MIP overflow condition is handled properly so that all the ethernet interface configuration will be displayed properly in the configuration.		
PR	131896	Build:	6.4.2.707.R01
Summary:	OS 6850-24 Switch crash after show amap and dump generated		
Explanation:	Code changes to CLI MIP library from freeing bad buffer when show command exceeds CLI session timeout		
PR	130571	Build:	6.4.2.721.R01
Summary:	High OPSF task tospf due to an unnormal high OSPF LSA activity		
Explanation:	Flush the invalid LSA.		
PR	131784	Build:	6.4.2.721.R01
Summary:	OS6850 - Unexpected action, Appid=82, SnapID=5, msgId=0x400001 , event=5, state=4 messages		
Explanation:	Defense check to avoid crash on access of invalid file descriptor		
PR	133831	Build:	6.4.2.722.R01
Summary:	ipconfig/renew not working with dhcp snooping and VRRP		
Explanation:	DHCP packet with DA MAC as VRRP MAC will not be dropped.		

PR	135867	Build:	6.4.2.722.R01
Summary:	OS6850 fan#3 failure msg but show fan shows all 3 fan running		
Explanation:	Debugs added for fan failure swlog message		
PR	136044	Build:	6.4.2.722.R01
Summary:	"ip ospf default-originate" command not working properly		
Explanation:	ASBR Status enabled when "ip ospf default -originate" is configured		
PR	134951	Build:	6.4.2.728.R01
Summary:	LED for SFP port4 is glowing when connecting a POE device in normal port4 in OS6400-P24&OS6400P-48		
Explanation:	POE LED Port and SFP port behavior corrected		
PR	135015	Build:	6.4.2.728.R01
Summary:	Port 2/4 of the 6400 not transmitting the packets.		
Explanation:	SDK to reset MAC on Link down only for Fiber 100FX		
PR	121741	Build:	6.4.2.729.R01
Summary:	6850: Faulty boot.cfg is crashing the switch during boot -up process		
Explanation:	Both line feed and carriage return are checked during boot.cfg parsing		
PR	132164	Build:	6.4.2.737.R01
Summary:	Dump additional parameters of taskStack, to debug Stack Overflow issue		
Explanation:	Dumped additional parameters in PMD to debug the stack overflow issue		
PR	133987	Build:	6.4.2.737.R01
Summary:	Stack 6850 : Crash after upgrade		
Explanation:	Handle one off duplicate slot scenario issue.		
PR	135393	Build:	6.4.2.737.R01
Summary:	Multicast filtering config disappears during 6850 reload with boot.cfg.err.		
Explanation:	Handled Multicast configuration during bootup		
PR	135475	Build:	6.4.2.737.R01
Summary:	OS6855 -- commonInitRoutine: :0xfffffbc init fail :0x00000001f error msg		
Explanation:	BCM debug addition in Post Mortem Dump Files		
PR	137527	Build:	6.4.2.737.R01
Summary:	OS6400-P48 error IPC-DIAG error 3356 > 2016 after upgrading to 6.3.4an d 802.1x is not operational		
Explanation:	Corrected Buffer issue to allow 8021x configuration on 48 ports		

PR	137601	Build:	6.4.2.737.R01
Summary:	LLDP error "Net Policy VLAN ID 4095 invalid/reserved" when the unknown policy flag is set to 1		
Explanation:	Unknown Policy Flag' bit in Network Policy TLV is handled properly		
PR	132116	Build:	6.4.2.743.R01
Summary:	DHCP Snooping process is not aware of NI insertion		
Explanation:	Display DHCP Snooping ports after NI reload		
PR	132147	Build:	6.4.2.743.R01
Summary:	6850 gives an error as "RTC get failed ca6b240" when "system timezone met" is set with 10 gig XFP.		
Explanation:	If I2C lockup happend due to BAD XFP, Release I2C lockup while reading NVRAM to avoid NVRAM access errors.		
PR	135955	Build:	6.4.2.743.R01
Summary:	Temperature issue "PRB-CHASSIS alarm Danger Threshold Exceeded! Chassis Temp 82 Threshold 70"		
Explanation:	Re-check the temperature, before taking actions, when temperature > danger threshold.		
PR	131947	Build:	6.4.2.747.R01
Summary:	OS 6850 stack crashed with No superv msg for last 5 sec,Stack Flood Counter, STR Non fatal errors.		
Explanation:	Log the msg in swlog when APPID & SNAPID becomes 0 when disbursing a event to the registered applications.		
PR	107864	Build:	6.4.2.750.R01
Summary:	Port shutdown when CPU reach a configured Threshold		
PR	130859	Build:	6.4.2.756.R01
Summary:	Port Mapping. IGMP reports flooded via user port		
Explanation:	Drop IGMP query on an UNI port		
PR	126171	Build:	6.4.2.761.R01
Summary:	Need ability to deny fragmented packets in qos		
Explanation:	Debug Command to drop Fragmented packets.		
PR	120519	Build:	6.4.2.763.R01
Summary:	OS6850 running on 6.1.3.874.R01 crashed and generated PMD files.		
Explanation:	Corrected the incomplete PMD generation		

PR	130255	Build:	6.4.2.769.R01
Summary:	"ethernet-service nni s/p transparent-bridging " command needs a reboot to be taken into account		
Explanation:	Don't set flat STG for existing SVLANs when transparent bridging is enabled.		
PR	129087	Build:	6.4.2.773.R01
Summary:	OS6850-P48L showing up High Memory consumption.		
Explanation:	Fix the memory leak by LLDp task when handling similar TLVs		
PR	122148	Build:	6.4.2.778.R01
Summary:	LLDP trap "lldpRemTablesChange" is always enable		
Explanation:	Send lldpRemTablesChange trap only when chassis notification is enabled		
PR	136943	Build:	6.4.2.780.R01
Summary:	Captive Portal IP address DHCP options fields		
Explanation:	Added Logout Instruction in cpStatus webPage		
PR	136077	Build:	6.4.2.791.R01
Summary:	Incomplete .pmd generation. Follow up of PR#135476		
Explanation:	Correcting OS9 NI pmd generation		
PR	140365	Build:	6.4.2.826.R01
Summary:	Syslog packets forwarded by 6850 not as defined as RFC 3164 (The BSD syslog Protocol)		
Explanation:	Syslog server message to follow RFC 3164 format		
PR	140886	Build:	6.4.2.830.R01
Summary:	6850 crash with boot.cfg.err		
Explanation:	Prevent memory overrun due to erroneous long commands		
PR	137866	Build:	6.4.2.831.R01
Summary:	SNMP issue regarding VRRP interface		
Explanation:	SNMP Discovery is not allowed through VRRP IP		
PR	141543	Build:	6.4.2.832.R01
Summary:	cp retry count of "0" does not allow unlimited number of login attempts as specified in the cli guide		
Explanation:	CP retry count 0 allows unlimited number of login attempts.		

PR	138003	Build:	6.4.2.833.R01
Summary:	show amap displays 6850 U 24 as OS6824 Fiber V2 - need to know why and if it can be displayed as U24		
Explanation:	modified product name display in show amap output for cli and webview		
PR	140291	Build:	6.4.2.833.R01
Summary:	switch rebooted with "CS excep handler: exception 1792 in task 0x8cdcc08" error and pmd file.		
Explanation:	Avoiding calls to stalling api's during pmd generation		
PR	140580	Build:	6.4.2.838.R01
Summary:	ERROR: Invalid Mask while configuring PIM static -rp		
Explanation:	Fix to accept proper mask values in RP configuration		
PR	134434	Build:	6.4.2.839.R01
Summary:	problems with parsing and validating the command "show ip router database dest w.x.y.z/n"		
Explanation:	Fix done to properly parse and validate the command "show ip router database dest w.x.y.z/n"		
PR	140663	Build:	6.4.2.839.R01
Summary:	ERP RING: rpl port blocking is not block the bpdv switching and it cause a bpdv loop in erp-ring		
Explanation:	Add check in STP for ERP state of the port before sending out bpdvs and changing port STP state.		
PR	136477	Build:	6.4.2.840.R01
Summary:	debug slot information 1 showing output with those command which is not supported in 6.X		
Explanation:	Unwanted error messages removed from the debug slot information command		
PR	137436	Build:	6.4.2.840.R01
Summary:	crash pmd file analysis requested		
Explanation:	Handle the lldp memory leak		
PR	138555	Build:	6.4.2.840.R01
Summary:	No vlan id displayed for non-suplicants in show aaa-device output.		
Explanation:	Corrected vlan display in "show aaa device -all users" command.		

PR	139152	Build:	6.4.2.840.R01
Summary:	OS6850 crash: Suspended TaskID 0x89d9fb0 and 0x89d9fb0		
Explanation:	Fix null pointer exception in the ip6edr task.		
PR	140026	Build:	6.4.2.840.R01
Summary:	lacp port counters dont get increase, if TCNBPDU or confi gBPDU passes for the command debug.		
Explanation:	Handle BPDU statistics for linkagg port.		
PR	139567	Build:	6.4.2.843.R01
Summary:	Garbage information found in the "show aaa -device all-users " on 6850 .		
Explanation:	Corrected garbage value displayed in "show aaa-device all-users "		
PR	137979	Build:	6.4.2.845.R01
Summary:	RMON History only available for the first slot.		
Explanation:	Fix to display the entries of RMON history table		
PR	139991	Build:	6.4.2.846.R01
Summary:	Not able to get ip address to login to the Captive portal screen if UserPorts is enabled		
Explanation:	cp packets allowed on userports with spoof enabled		
PR	140985	Build:	6.4.2.849.R01
Summary:	In a stack of 6 units which is VRRP master, VRRP arp entries are not added in the primary switch		
Explanation:	VRRP/Static arps should not flush when arp entries max value reached		
PR	140609	Build:	6.4.2.850.R01
Summary:	PXE client not able to initiate TFTP download to PXE server		
Explanation:	DHCP Packets with Dest UDP Port as 67 will be trapped to CPU for sw handling.		
PR	141471	Build:	6.4.2.851.R01
Summary:	stack of 5 crashed PMD analysis required		
Explanation:	Drop DHCP packets whose size exceeds 1024 bytes. The debug counter "dhcpPktSizeTooLarge" will be incremented, upon receiving and discarding huge DHCP packets.		
PR	141614	Build:	6.4.2.851.R01
Summary:	OS6400 switch sending working Info for "chasSupervisionCmmCertifiedStatus" with IDLE units		
Explanation:	Corrected Display of Idle Units CMM Certified Status		

PR	137967	Build:	6.4.2.855.R01
Summary:	RMON Probe statistics not displaying correct info on NMS		
Explanation:	RMON "Ethernet Rx Oversize frame counter" updated properly for Management View from SNMP Manager		
PR	138242	Build:	6.4.2.855.R01
Summary:	KR customer - RMON etherStatsPkts issue		
Explanation:	Rmon etherStatsPackets counter updated properly as per RMON Standard		
PR	140179	Build:	6.4.2.855.R01
Summary:	rmon crashed		
Explanation:	Defense check and debugs added for RMON crash		
PR	138594	Build:	6.4.2.857.R01
Summary:	DHCP Relay is not working		
Explanation:	Udp Relay NI to retry IPC connection to Primary CMM in case of failure		
PR	139040	Build:	6.4.2.857.R01
Summary:	Automatic takeover on 6850 stack with PMD - error:CS excep handler: exception 768 in task 0xd15c8f0		
Explanation:	Arp packet on 8021x port is handled by aaa, instead of ipni		
PR	132514	Build:	6.4.2.858.R01
Summary:	IPC Debug and Logging Improvements		
Explanation:	IPC debug enhancements		
PR	139911	Build:	6.4.2.861.R01
Summary:	stack of 6 OS6850 crashed - pmd files analysis requested		
Explanation:	Fix to block from cli when Goup Mobility rules exceeds 8192		
PR	142306	Build:	6.4.2.861.R01
Summary:	UDLD default setting to shutdown the port in normal mode		
Explanation:	Not shutting down a port due to surge of ECHO message in normal UDLD mode.		
PR	142026	Build:	6.4.2.862.R01
Summary:	with DHL pre-empt enable - the re-convergence is greater than 1 sec		
Explanation:	Detect state machine immediately when standby port goes down		

PR	138948	Build:	6.4.2.863.R01
Summary:	ping drop with large packet size		
Explanation:	Avoid ping (directed towards switch) loss during socket congestion. Fix controlled by the flag ipni_prio_icmp flag and it is enabled by default.		
PR	140548	Build:	6.4.2.863.R01
Summary:	port is blocking eventhough the stp is disable on the vlan		
Explanation:	Update stp admin state in NI when vlan is created along with stp disable on flat mode		
PR	132617	Build:	6.4.2.864.R01
Summary:	DHCP relay not working properly when qos user -port is configured		
Explanation:	DHCP Discover packets will not be considered as Spoofed packets on UserPorts.		
PR	140780	Build:	6.4.2.868.R01
Summary:	LPS is always learning the MAC as filtered: looks like lpsMacCount is NOT properly decremented		
Explanation:	Update the LPS data structures properly when a mac/vlan -port flush event occurs		
PR	129943	Build:	6.4.2.882.R01
Summary:	6850 does not display the complete ip addr when using the complete 4 octets of ip addr in ipms logs		
Explanation:	Swlog message is updated to print information continusly (maximum of two lines)		
PR	133599	Build:	6.4.2.882.R01
Summary:	OV 3.4.1 sends warm startup traps after ssh authentication fails.		
Explanation:	Avoiding replayed traps with different seqid.		
PR	139633	Build:	6.4.2.882.R01
Summary:	OS6850 crashed when command "copy working certified " with "error reading /flash/working/ entr		
Explanation:	Retry mechanism introduced which calculating the checksum of image files		
PR	142204	Build:	6.4.2.882.R01
Summary:	Multicast Storm on stack cable reconnection in a ERP environnement		
Explanation:	Fix done to avoid loop during stacking of two standalone units.		

PR	131418	Build:	6.4.2.886.R01
Summary:	unable to synchronize CMMs due to Due to SIMPLEX CMM		
Explanation:	Debugs to track CVM states and new cli to recover the switch during flash - synchro failure		
PR	141702	Build:	6.4.2.886.R01
Summary:	OS6400 - After rebooting primary unit, the stack is unreachble after a couple of min		
Explanation:	Prevented the configuration of Loopback0 address IP as the same as Physical Interface IP		
PR	141718	Build:	6.4.2.886.R01
Summary:	Log issue for "IP Multicast" rules		
Explanation:	Applied qos rule logging to Multicast rules taking effect from software		
PR	138797	Build:	6.4.2.887.R01
Summary:	First ARP response is ignored in OS6850 stack and first packet lost when ping soure is on Primary		
Explanation:	IPNI to handle messages from NI before handling ARP replies.		
PR	140766	Build:	6.4.2.888.R01
Summary:	OS6850 console lock-up		
Explanation:	Prevent SSH client's console/telnet window due to inactivity from server side		
PR	143471	Build:	6.4.2.888.R01
Summary:	Qos user port causes complete packet drop on certain ports		
PR	108701	Build:	6.4.2.889.R01
Summary:	Static ARP entries are automatically added to the running configuration after a takeover on LA		
Explanation:	Not to store bogus arp entries in configuration file.		
PR	141348	Build:	6.4.2.893.R01
Summary:	6850: Switch stopped passing traffic and then crashed		
Explanation:	Trigger reboot of a stack unit when it is Secondary and has received takeover request and when it has not fully initialized as secondary unit		
PR	136835	Build:	6.4.2.898.R01
Summary:	Using 6.3.1.1124.R01 on 6800 devices, an STP blocked port sends an AMAP trap (add/remove) to its SNM		
Explanation:	Fix to avoid generation of amap traps on STP blocked ports from 541R01(97746)		

PR	141708	Build:	6.4.2.902.R01
Summary:	INTERFACE info Bad SFP on port 4/6 on XFP LR		
PR	141541	Build:	6.4.2.912.R01
Summary:	Certain TCP frames not considered for 802.1x authentication and source learning.		
Explanation:	If VRRP is not configured in the switch, allow VRRP packets on 802.1x ports for classifying as non-suplicants. After authentication, the VRRP packets will be dropped.		
PR	125329	Build:	6.4.2.913.R01
Summary:	Clients connected to 6850 as Edge Switches(layer2) not able to pass the Authentication (avlan issues)		
Explanation:	The frames with Destination mac address(00:20:da:00:00:02) i.e, aaa special mac is processed by the cmm software only when the 802.1x or avlan is enabled in the switch else the frames are just flooded by the hardware itself. Also the frames with the Destination mac address (01:80:c2:00:00:03) i.e,802.1x special mac is processed by the cmm software only when 802.1x is enabled in the switch else it just flooded by the hardware itself.		
PR	141922	Build:	6.4.2.913.R01
Summary:	Loopback0 interface not used as source address when it is configured		
Explanation:	For backward compatibility, code changes have been for radius packets to use Loopback0 IP address, if one configured, as the Source IP address when Auth port is 1645 and Account Port is 1646.		
PR	142347	Build:	6.4.2.914.R01
Summary:	dynamic vlan propagation stops randomly when using GVRP		
Explanation:	Changed default gvrp join and leave timer to 200 and 600 ms respectively.		
PR	133834	Build:	6.4.2.915.R01
Summary:	port seen in STP blocking state in HW but in forwarding in Software		
Explanation:	Update the SpanningTreeGroup(STG) properly for the vlans in an MSTI when the MSTI is removed.		
PR	140921	Build:	6.4.2.918.R01
Summary:	NI Monitoring timeout on OS9 ni. Follow -up of PR#135476//136077		
Explanation:	Fix the bug in the HW which caused the cell drain error and NI monitoring timeout		

PR	144511	Build:	6.4.2.918.R01
Summary:	SLB TCP probes not working on some particular ports.		
Explanation:	Tcp socket connect using loopback0 address for ldap packets		
PR	119373	Build:	6.4.2.919.R01
Summary:	The Radius Access-Request use the closest ip address for the attribute "NAS-IP-Address"		
Explanation:	The address of NAS IP field is controlled using the command 'aaa radius agent preferred'		
PR	131963	Build:	6.4.2.921.R01
Summary:	OS6600 stack split with duplicate slot condition/ No PMD files generated		
Explanation:	Generate the stackDebug.log file during supervisory msg loss scenarios		
PR	131844	Build:	6.4.2.925.R01
Summary:	6850 unable to the receive the one multicast source traffic on two receiver side thru DVMRP tunnel.		
Explanation:	Support for point to multipoint tunnel for a multicast flow in dvmrp		
PR	140231	Build:	6.4.2.925.R01
Summary:	BBUS resets during the takeover and it is affecting the comm between the CMMs		
Explanation:	False suspension alarm for tasks handled, preventing switch crash		
PR	140883	Build:	6.4.2.926.R01
Summary:	Option82 field is not preserved if we have dhcp -snooping and ip-filtering enabled.		
Explanation:	DHCP Option 82 insertion based on agent information policy configured.		
PR	141570	Build:	6.4.2.926.R01
Summary:	Program exception in windTickAnnounce API		
Explanation:	Have introduced a defense check for the linkAgg task crash		
PR	144702	Build:	6.4.2.926.R01
Summary:	ARP flushing on link agg is taking excessive CPU resources		
Explanation:	IPNI Linkagg handling changes and cleanup		
PR	140784	Build:	6.4.2.934.R01
Summary:	CSM == APPLICATION_FATAL STR for: Elpc / TIPrm ->suspended - switch crashed - analysis needed		
Explanation:	Code changes to prevent PIM message overflow when large route list are to be sent		

PR	141259	Build:	6.4.2.936.R01
Summary:	ARP entries are not learned on OS6855		
Explanation:	Loopback0 not included in interface skiplist of NI for proper connectivity. If the loopback0 is configured in the same subnet of a local inter face.		
PR	109140	Build:	6.4.2.939.R01
Summary:	7700 uptime reset after 497 days		
Explanation:	sysUpTime is not wrapped up after 497 days.		
PR	143782	Build:	6.4.2.940.R01
Summary:	6850 - Crashed need analysis		
Explanation:	Functional addition for NI Supervision to confirm task suspension		
PR	144835	Build:	6.4.2.940.R01
Summary:	Show configuration snapshot command does not display running config		
Explanation:	MIP overflow issue handled properly to avoid the memPartAlloc error issues after show configuration snapshot.		
PR	145247	Build:	6.4.2.940.R01
Summary:	OS9800 Crashed - tCS_PRB (c8b8710) @ 40 SUSPEND lckd=0		
Explanation:	Validate the address range check while accessing the i2c registers		
PR	144204	Build:	6.4.2.945.R01
Summary:	Sflow samples doesn't report crc error info. Errors seen in interface counter.		
Explanation:	Fix to display the recieve Error statistics in the sflow tool.		
PR	142686	Build:	6.4.2.946.R01
Summary:	Improper telnet rejection message		
Explanation:	TCP flags to be checked correctly		
PR	144811	Build:	6.4.2.946.R01
Summary:	Default value for historyControllInterval for rmon is different from its MIB definition		
Explanation:	Implemented new CLI commands to configure history control inter val value.		
PR	143651	Build:	6.4.2.948.R01
Summary:	Showing ERROR Invalid parameter 802. Valid range '1 -1"' with the command ! 802.1x :&! 802.1q :		
Explanation:	Fix to display the appropriate cli command from the history buffer		

PR	131919	Build:	6.4.2.949.R01
Summary:	Static linkagg and MST not working correctly when spanning -tree is disabled on the aggregate link		
Explanation:	Spanning tree will be disabled for all MSTI instances when its disabled on CIST. All the ports in the CIST and MSTI will be in forwarding state		
PR	140452	Build:	6.4.2.949.R01
Summary:	Static routes not redistributed if ospf is disabled on the vlan interface with gateway IP for the static route		
Explanation:	Proper Updation of Ext LSA if any of the ospf int erfaces go down		
PR	143556	Build:	6.4.2.949.R01
Summary:	communication loss on tagged vlan 1 after reboot.		
Explanation:	Fix to avoid communication loss when port is tagged to vlan 1		
PR	143224	Build:	6.4.2.950.R01
Summary:	OS-6850 crash with memPartAlloc: block too big - 4120 in partition 0x4bfa74 error		
Explanation:	Discard UDP packets with incorrect or corrupted UDP Header length. For every such packet that is received by the switch the counter "dhcpSnoopingCorrUDPHdrLen" will get increm ented. The counter "dhcpSnoopingCorrUDPHdrLen" will also get dumped in PMD inc		
PR	144080	Build:	6.4.2.951.R01
Summary:	ACL to block illegal dhcp server is not working when dhcp -snooping enabled		
Explanation:	Dropping illegal dhcp packets in softw are		
PR	143810	Build:	6.4.2.955.R01
Summary:	onex' task takes cpu to 100% even when nothing is connected on OS6400 switch		
Explanation:	Prevent loop in onex task		
PR	102616	Build:	6.4.2.956.R01
Summary:	BGP How to configre a in-prefix list only to permit the default route		
Explanation:	BGP Prefix-list handled properly to accept/deny a particular route if configured		
PR	110473	Build:	6.4.2.960.R01
Summary:	Many "LANPOWER error IpSocketSend: zcBufCreate Failed!" followed by a crash with dumps		
Explanation:	Found 256 byte memory leak in health monitor task		

PR **140954** Build: 6.4.2.961.R01
 Summary: 6400 - Crash dump analysis
 Explanation: Radius crash fixed by correcting transaction id match in radius packets

PR **145652** Build: 6.4.2.963.R01
 Summary: To avoid multicast packet drops due to forwarding entry update
 Explanation: Avoid multicast packet drops due to forwarding entry update

PR **146866** Build: 6.4.2.964.R01
 Summary: very slow QoS memory leak causes switch to reboot
 Explanation: Fixed QoS memory leak

PR **140961** Build: 6.4.2.966.R01
 Summary: ip-source-filter getting disabled while changing the vlan port.
 Explanation: Get IP source filtering status of the port if the snooping is VLAN level and apply the configuration to the new VLAN if snooping is enabled on the new VLAN also.

Known Issues:

PR **135424**
 Summary: Software reports "Bad sfp on port 5/3" on OS9E even though 5/3 does not have an sfp inserted.

PR **143056**
 Summary: When configuring Multicast static arp on router causes high ping time
 Explanation: Fix broadcast packets are being sent to incoming port also when sent from CPU

PR **144092**
 Summary: PoE negotiated class in CLI (IpGetPortPowerClass doesn't show correct class)
 Explanation: Fix for POE power calculation when checking PoE class

PR **95308**
 Summary: Temporary loop on changing bridge priority or port down in RSTP with Link Agg
 Explanation: Temporary traffic loops could happen under the following scenarios:
 1. Reloading of a non root bridge.
 This happens when the bridge is going down and is due to the sequential bringing down of NIs during a reload process .It is purely temporary in nature and stops when all the NIs eventually get powered off.

2. NI power down

When an NI power down command is executed for an NI and if that NI has the Root port and other NIs have Alternate ports, it is possible to see some traffic looping back from the newly elected Root port. The traffic loop back is temporary and will stop once the NI gets powered off.

3. New Root bridge selection

Temporary loops could occur during the process of electing a new Root bridge, if this election process is triggered by the assignment a worse priority for the existing root bridge or a root bridge failure. This happens due to the inconsistent spanning tree topology during the convergence and stops entirely once the network converges.

Workaround: For items 1 and 2 above there is no work around presently.

For item 3 the following work a round could be applied:

1. Tune the max age (and or max hops in the case of MSTP) parameter to a lower value that is optimal for the network.

PR	105646
Summary:	Mib var. entPhysicalModelName; entPhysicalDescr; " need to provide more descriptive values
Explanation:	entPhysicalModelName MIB variable returns vendor name of SFP instead of model name for an SNMP get/getNext call to this object.
Workaround:	There is no known workaround at this time.
PR	106811
Summary:	Show interface output should have different description for bidirectional/CWDM
Explanation:	When entering the 'show interface slot/port' command the "SFP/XFP" field output for a port having an SFP plugged in cannot differentiate between 100Fx and Bidirectional SFP or between Gigabit and CWDM SFP.
Workaround:	There is no known workaround at this time.
PR	112489
Summary:	Jumbo frames get lost when going over a 100mb port
Explanation:	Jumbo frame size configuration is not saved in boot.cfg for combo ports running at 100mbps.
Workaround:	There is no known workaround at this time.
PR	121735
Summary:	Need ability to source ntp agent to use specific ip interface to source its update requests
Explanation:	Enhancement to provide options for configuring source IP of NTP packets from CLI.

1.NTP CLIENT PREFERED DEFAULT

- Takes in the vlan configured IP interface if no loopback0 address is defined. Otherwise takes the loopback0 address.

2.NTP CLIENT PREFERED NO-LOOPBACK0

- Takes the vlan configured IP even if the loopback0 is defined.

3.NTP CLIENT PREFERED <num.num.num.num>

- Takes the user defined IP address 'num.num.num.num' given through above CLI.

PR	130309
Summary:	IPv6 communication is dropped when dhcp snooping ip source filter is enabled
Explanation:	IPv6 communication is dropped when dhcp snooping ip source filter is enabled.
Workaround:	There is no known workaround at this time.
PR	131242
Summary:	OS9700 crash due to tlprm and tPim tasks: Follow up of PR#130246.
Explanation:	More debugs added into PMD in case of memory corruption issues
PR	140265
Summary:	Agent remote-id incorrect for Option 82 field
Explanation:	Remote id is left blank, if there is no host name received for dhcp option 82 format type ascii.
PR	144204
Summary:	Sflow samples doesn't report crc error info. Errors seen in interface counter.
Explanation:	Fix to display the recieve Error statistics in the sflow tool.
PR	144397
Summary:	Daylight savings time not started for non -standard timezone
PR	146771
Summary:	8KB OSPF MTU handling instead of 10KB
Explanation:	OSPF Buffering of IP Packets is increased to 10K to accommodate Jumbo OSPF Frames

PR	147746
Summary:	Issue in pinging switch IP interface with loopback 0 configured with IP in the same network.
Explanation:	Ping/telnet to loopback0 address made working properly
<hr/>	
PR	148114
Summary:	Stack of 2x6850 switches reported continuous 100% CPU utilization with sftp_s0 task showing highest
Explanation:	Code changes to eliminate CPU spike by stale SFTP tasks after an abnormal SFTP session termination.

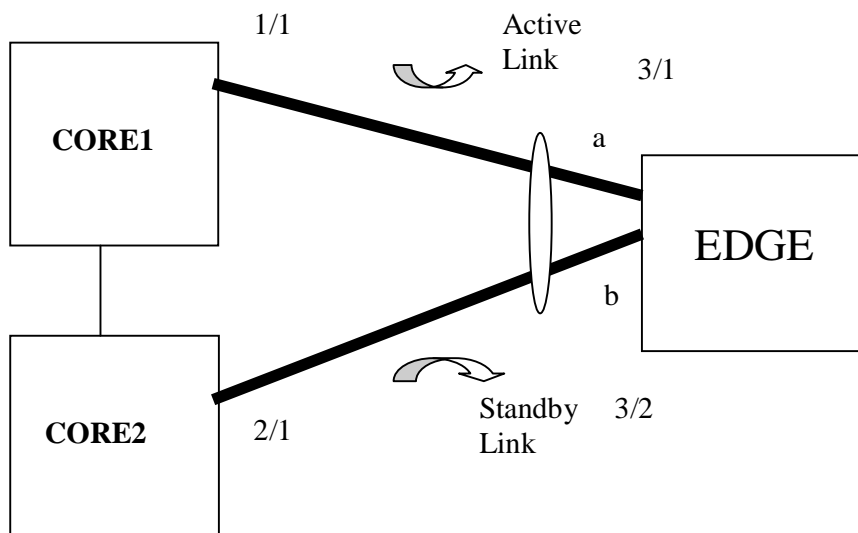
New Software Features:

1. Dual Home Link Aggregation Support

Dual Home link Aggregation feature facilitates the uplink box to have redundant connections to two different core boxes with STP disabled. On the uplink box a link aggregation of size 2 is created & one of the ports is configured as standby.

When the primary link fails the software will immediately bring up the secondary link to primary. When the old primary link returns it should remain in standby until the other link fails, and the failover is repeated. Pre-emption can be enabled on an aggregate basis, so that primary can move to attached state when the link recovers, after a period of time (pre-empt timer). By default pre-emption is disabled and the default pre-empt timer is 30 Sec. The timer value can range from 30 -300 Seconds

The typical setup is as follows:

**Release & Build:**

This feature is supported in 6.3.4.R01 from build 473 and above.

Platforms Supported:

This feature will be supported in OS6400, OS6850, OS6855 and OS9x00.

CLI Command Usage Guidelines:

Sample CLIs:

Command to configure a standby port
 lACP linkagg <slot/port> standby enable/disable

Command to configure pre-emption on a aggregate id

```
lACP linkagg <aggid> pre-empt enable/disable
lACP linkagg <aggid> pre-empt timer <seconds>
```

CLI CONFIGURATION:

```
At Core 1:
lACP linkagg 2 size 2 admin state enable
lACP linkagg 2 actor admin key 2
lACP agg 1/1 actor admin key 2
lACP agg 1/1 actor system id 00:00:00:00:00:01
```


At Core 2:

```
lACP linkagg 2 size 2 admin state enable
lACP linkagg 2 actor admin key 2
lACP agg 2/1 actor admin key 2
lACP agg 2/1 actor system id 00:00:00:00:00:01
```

At edge: (uplink box)

```
lACP linkagg 2 size 2 admin state enable
lACP linkagg 2 actor admin key 2
lACP agg 3/1 actor admin key 2
lACP agg 3/1 actor admin key 2
lACP agg 3/2 standby enable
lACP agg 3/2 actor admin key 2
lACP linkagg 2 pre-empt enable
lACP linkagg 2 pre-empt timer 40
```

Limitations & Restrictions:

- There can only be one standby port for a Link Aggregate.
- STP should be disabled on the edge.
- Same system mac needs to be set in both CORE1 and CORE2.
- The secondary port should be configured as Standby before actor admin key is associated to it.
- This solution is mainly to address & provide faster convergence during interface link or admin down/up scenarios in a link aggregation.

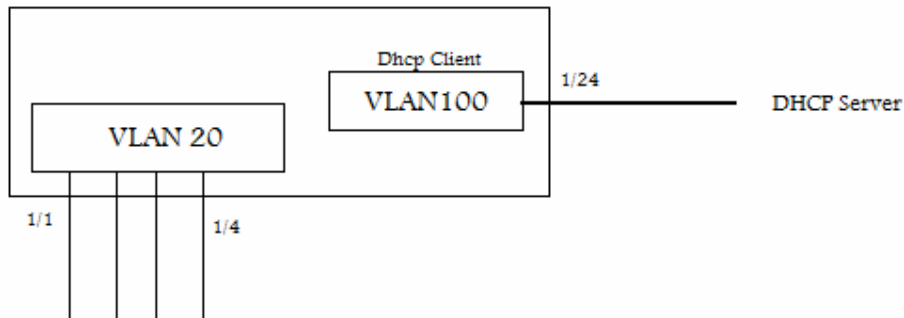
Average Convergence:

MEDIUM	TRANSITION TIME
Pure Fiber	10 to 20 ms
Pure Copper	200 to 300 ms

2. Dhcp Client Support on any VLAN

Description:

DHCP Client was designed in Omni Switch to function as DHCP client on any one configured VLAN & get an IP address from the DHCP server and create IP interface for that VLAN in the switch.

Use Case Diagram:**Platforms Supported:**

OS6850, OS6400, OS9800, OS9700, OS6855, OS9700E, OS9800E

Guidelines:

DHCP client interface on VLAN 100

The goal of the DHCP client interface is to provide a “managem ent” interface and no user connectivity to the network.

The DHCP client implementation is NOT tied to IP helper. Therefore, all requests sent from the switch won’t get relayed to sever even if it is configured on this switch. The request are only flooded in the DHCP client VLAN 100. However, we can have user in VLAN 100 and then IP helper would work as expected.

There must be an uplink port on VLAN 100 to reach the DHCP server. This server might not need to reside on VLAN 100 if the switch is connected t o an upstream router that provides DHCP relay. Also, any replies from the server were sent to any ports of VLAN 100 (such replies are targeted for the switch base MAC Address)

Users on VLAN 20, will work as expected. If IP helper is configured on this sw itch Requests are relayed to the DHCP server. Also, requests are flooded or not on VLAN 20, depends on DHCP - snooping configured

The DHCP client interface has an IP lease, and DHCP renew process initiated as per the lease time obtained.

The DHCP client interface can be configured to release the IP obtained, to renew the IP obtained overriding the automatic renew process as per the lease time obtained.

CLI commands:

1. *ip interface dhcp-client vlan <vid>*
2. *ip interface dhcp-client {release|renew}*
3. *ip interface dhcp-client { option-60 [<string>] }*
4. *show ip interface dhcp-client*

vid - Vlan id on which the DHCP-client interface is configured upon.

release - Used to release a dynamically allocated IP address on the DHCP -client enabled VLAN

renew - Used to renew a dynamically allocated IP address on the DHCP -client enabled VLAN

option-60 [<string>] - Option-60 string that can be included in the DHCP discover/request packets corresponding field.

Performance and Limitations :

- User shall not be able to change the IP address of the DHCP-Client interface.
- DHCP Client support is only for IPV4 address.
- In Stack environment MAC-retention should be enabled to get the same IP address from DHCP server after takeover.
- User shall not configure the DHCP client interface on a switch where that interface shall be the relay agent for that particular VLAN.
- Though DHCP client shall be bound to any VLAN. It is still only one VLAN DHCP client can be configured on the switch and administrator should be able to bind it to one VLAN in any VRF.
- VLAN configured for DHCP-client should have a connection to reach the DHCP server.
- DHCP-client IP interface shall be the primary IP address when more than one IP interface exist for DHCP-client enabled VLAN.